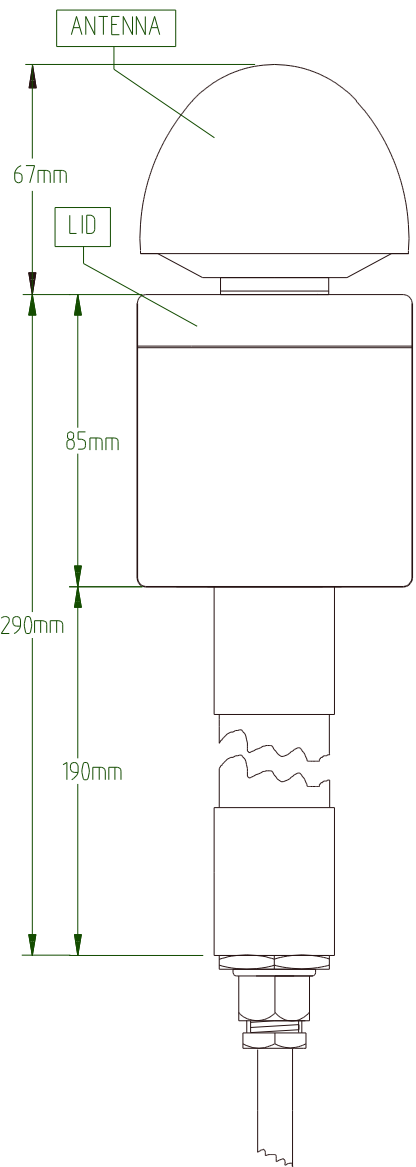
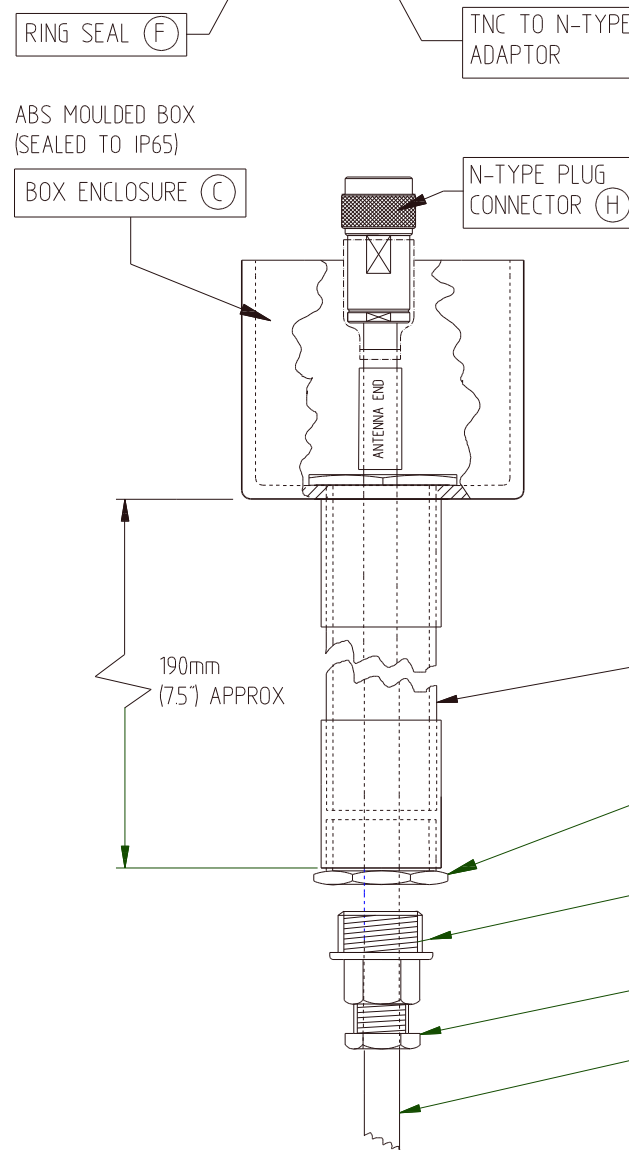
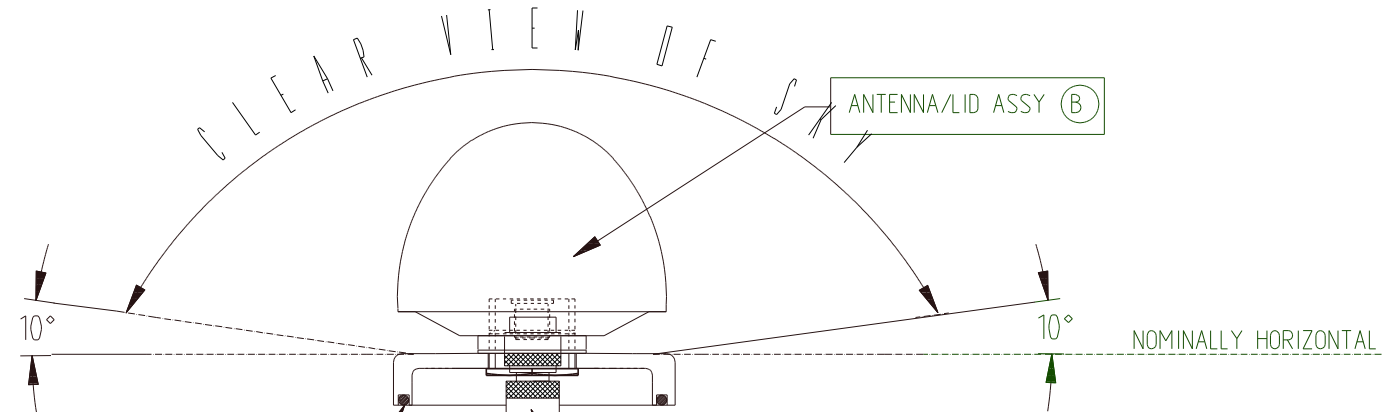


LID FIXING SCREWS (4 off) (A)



ASSEMBLY INSTRUCTIONS

1. LOOSEN LID FIXING SCREWS (A) (4 off) AND REMOVE ANTENNA/LID ASSY (B) FROM BOX ENCLOSURE (C). PLACE ANTENNA/LID ASSY IN A SAFE PLACE UNTIL BOX ENCLOSURE HAS BEEN MOUNTED. DO NOT ATTEMPT TO REMOVE ANTENNA FROM THE LID.
2. SECURE BOX ENCLOSURE BY CLAMPING SUPPORT TUBE (D) IN CHOSEN POSITION. ANTENNA SHOULD HAVE HORIZON TO HORIZON SIGHT OF SKY IN ALL DIRECTIONS OR AS NEAR TO THIS AS CAN BE ACHIEVED.
3. LOOSEN CABLE GLAND (E) AROUND DOWNLEAD.
4. PASS N-TYPE PLUG CONNECTOR (H) AND CABLE UP THROUGH THE VERTICAL SUPPORT TUBE.
5. CONNECT AND FIRMLY (HAND) TIGHTEN THE N-TYPE PLUG TO THE ANTENNA/LID ASSY ADAPTOR SOCKET.
6. LOWER THE CABLE INTO THE SUPPORT TUBE AND REASSEMBLE ANTENNA/LID ASSY TO BOX ENCLOSURE, ENSURING THAT THE LID RING SEAL (F) IS SEATED. TIGHTEN LID FIXING SCREWS (4 off).
7. SCREW THE CABLE GLAND INTO THE CONDUIT REDUCER (G), SEALING THE THREADS WITH PTFE PLUMBERS TAPE.
8. TIGHTEN THE CABLE GLAND (E) AROUND THE DOWNLEAD, TO PROVIDE A GOOD WATERPROOF SEAL. DO NOT USE EXCESSIVE TORQUE, OR CABLE DAMAGE COULD RESULT.



GENERAL NOTES

1. MAKE SECURE FASTENINGS AROUND THE SUPPORT TUBE (D). NOT DIRECTLY TO ANTENNA OR BOX ENCLOSURE. 'U' BOLTS OR JUBILEE CLIPS ARE ONLY ALLOWED AROUND THE SUPPORT TUBE. (NOTE - 'U' BOLTS ARE NOT SUPPLIED)
2. DOWNLEAD CABLE SHOULD EXIT VERTICALLY FROM GLAND (E), AND SHOULD BE ADEQUATELY SECURED BELOW THE ASSEMBLY TO MINIMISE CABLE WEIGHT ON GLAND (E).
3. CONNECTORS SHOULD BE FIRMLY TIGHTENED (BY HAND).
4. OBSERVE CABLE MINM. BEND RADIUS (SEE NOTE).
5. DO NOT PAINT OR COVER THE TOP SURFACE OF THE AERIAL.

NOTE - RECOMMENDED MINM. BEND RADIUS
 100mm (4") CABLE E43
 200mm (8") CABLE E44

A1

MATERIAL																							
FINISH																							
NOTES :																							
	ISSUE	MOD No. OR CHANGES	DATE	ISSUE	MOD No. OR CHANGES	DATE														DRAWN DB	DATE 19/12/01	SCALE 1:1	CHECKED - PLB DATE: 19/12/01
	THIRD ANGLE PROJECTION						METRIC DESIGN mm						GENTOL +/-0.2mm		HOLE SIZE TOL +/-0.05mm		UNLESS STATED OTHERWISE			DRGNo. 2929 - 7113	sht 1 of 1	ISSUE A	

Rapco ELECTRONICS LTD ©

TITLE: INSTALLATION - GPS ANTENNA TYPE 4B